

Hardness Testers - Measuring Quality

ANALOGUE SHORE



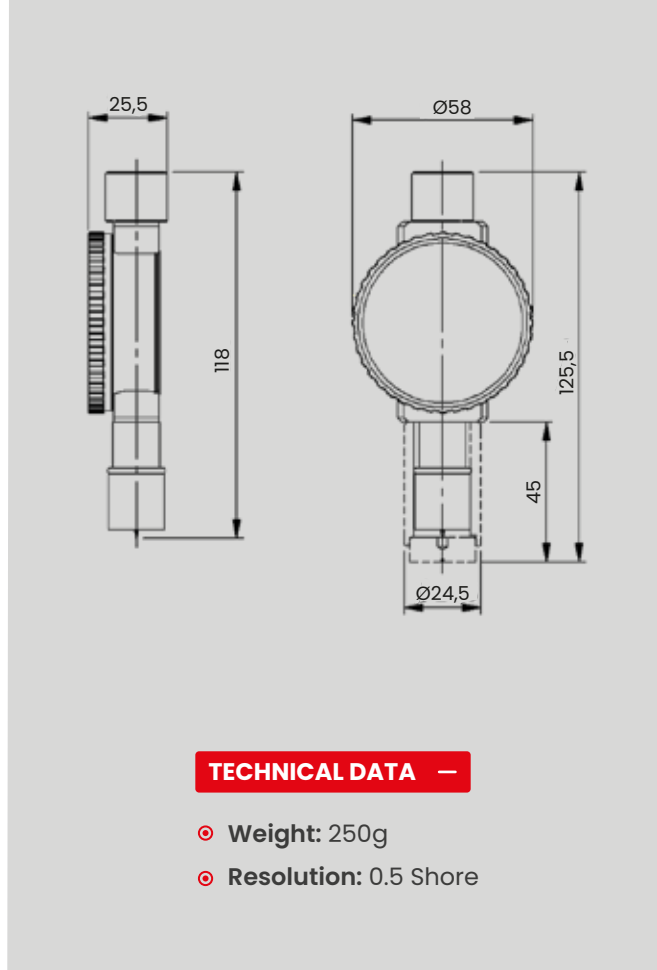
The Axiotek Analogue Shore features **mechanical operation**: within a few seconds, the tungsten carbide indenter detects the hardness value, which can be read on the high visibility analogue display.

Suitable for all **polymers, elastomers, rubbers and gel-like materials (such as plastics, rubber, medical items, paper and sponges)**, even with complex geometries.

Ideal for measuring all **A, B, C, D, DO, E, AO, O, OO** Shore hardness scales in accordance with **ISO 48-4 and ASTM D2240, ISO 868 and ISO 21509**.

When to choose the analogue version?

- ◉ If you want to carry out **immediate on-site tests** without having to rely on electrical sources.
- ◉ If you are not interested in exporting, storing or printing the data obtained for statistical analysis purposes.
- ◉ If you are looking for an instrument with an **attractive price/performance ratio**.

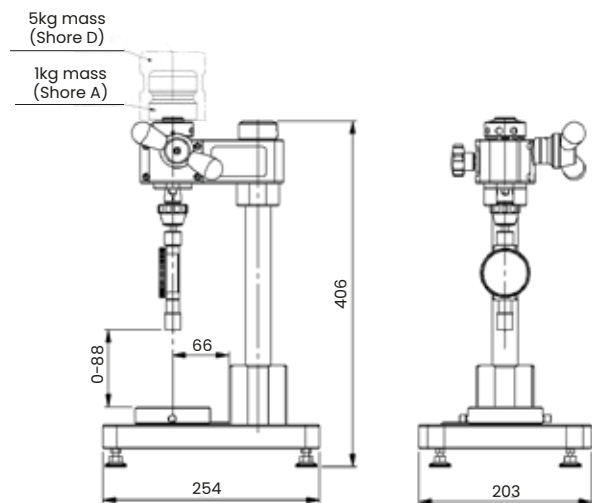


Combine it with an optional manual or motorised bench top stand, to eliminate human error on test measurements!

Possibility of adding a calibrated mass for all Shore scales on one single instrument.

Reference standards: ASTM D2240, ISO 48-4, ISO 868 and ISO 21509

DX 136 MANUAL BENCH TOP STAND



DX 835 MOTORISED BENCH TOP STAND

